



STE13-14

Exterior LED Surface Mounted Eyelid Step Lights



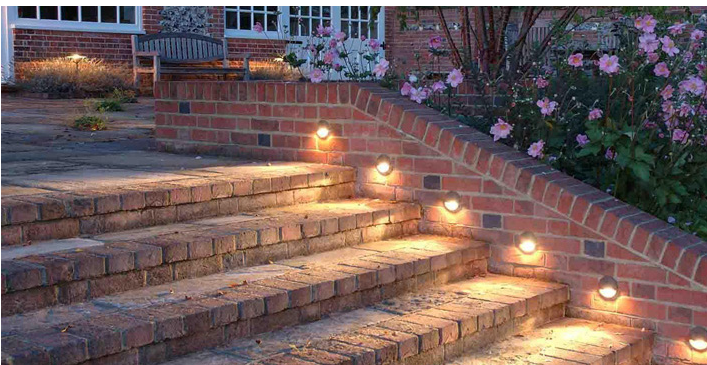
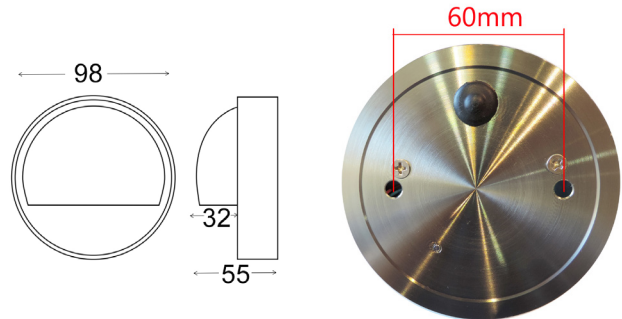
Product Features:

- Exterior LED surface mounted eyelid step lights
- Input voltage range: 12-14V AC/DC
- External control gear required
- Material: Anodized 316 stainless steel and polished solid copper
- LED chips: 3pcs XB-D
- Power factor: 0.95
- CRI: 80
- Ambient temp: -40 to 85°C
- IP rating: IP54



Tested & Recommended Drivers:

CLADR12W / DRIV1 / OTTER1 / CLA111011 /
CLA113011 / CLA115011 / CLA1110011 / CLA1115011 /
CLA1120011



*Must be installed by a licenced electrician (Installation instructions sheet provided in each product box).

*Unless protected, not recommended for environments with harsh weather conditions or heavy rainfall. IP65 fittings recommended for such environments. To avoid disappointment and warranty problems, please ensure the IP rating of the chosen product is relevant for the intended use.

Part No.	Description	Kelvin	Lumens	Watt	CRI	PF	Weight	Box	Carton Qty
STE13	WALL 12V 3W Built in LED S/M SS 316 Lge Curved	3000K	240LM	3W	80	0.95	0.5kg	13x11x8cm	1/25
STE14	WALL 12V 3W Built in LED S/M Solid Copper Lge Curved	3000K	240LM	3W	80	0.95	0.6kg	13x11x8cm	1/25